



INSTALLATION INSTRUCTIONS

Power Transfer Device

EL-PTC-20 Power Contact/Transfer (18 AWG Wires)

The EL-PTC-20 provides a safe and effective means of power transfer from a contact plate mounted in an aluminum tube, hollow metal frame, or wood door to a set of spring-loaded contacts mounted at the top of the door's vertical stile or hollow metal frame. When the door is closed, they touch and complete. Please read all instructions before installing.

EL-PTC-20 POWER TRANSFER COMPONENTS

24V DC or 24V AC maximum
Not recommended for electric latch retraction



Contact Plate

(with removable tab guide)

USAGE:
Frame Installation

Fasteners:
x3 #5 x 5/8" Phillips Flat Head
Sheet Metal Screw



Spring-Loaded Contact Block

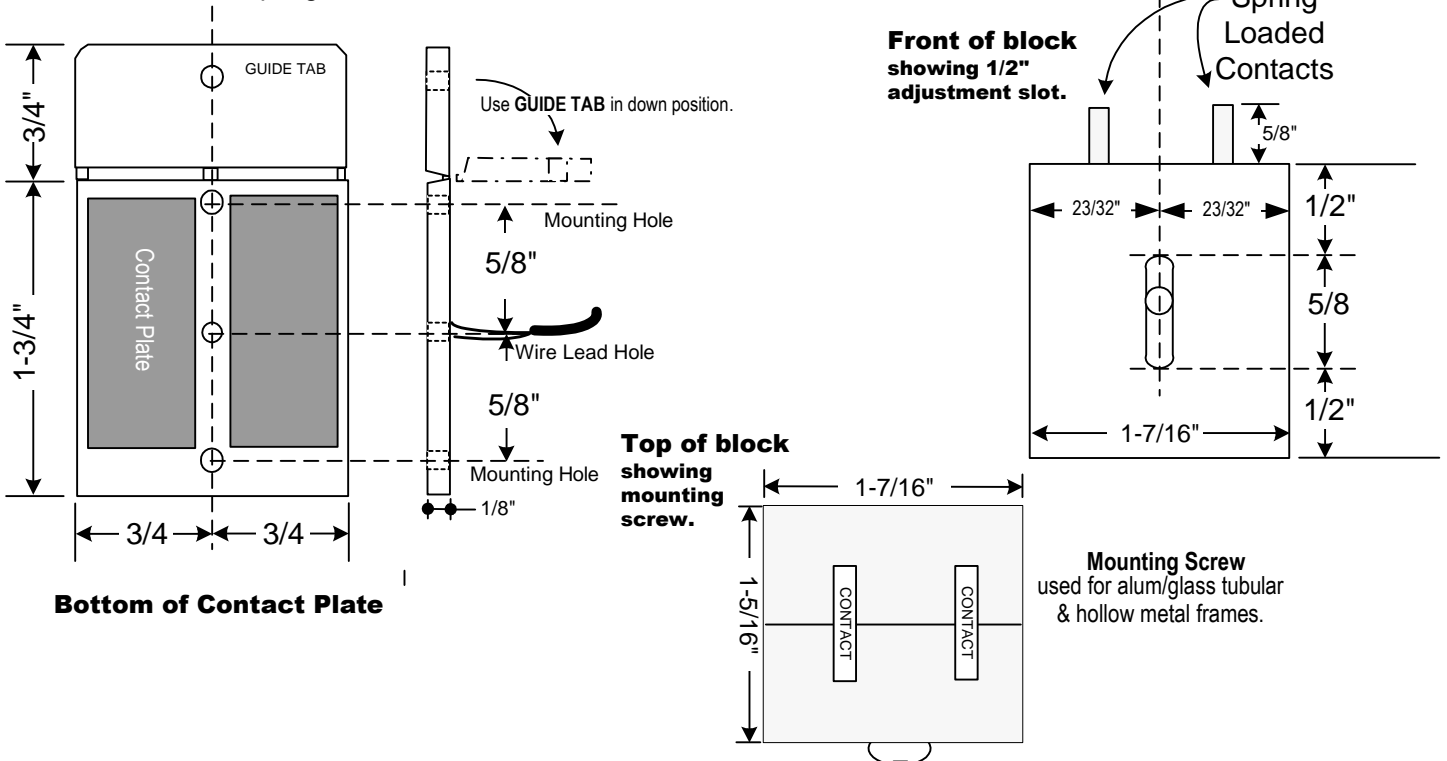
(With screw)

USAGE:
Door Installation-

Fasteners:
x1 12-24 x 1" Pan-Head
Phillips Machine Screw

Dimension Information

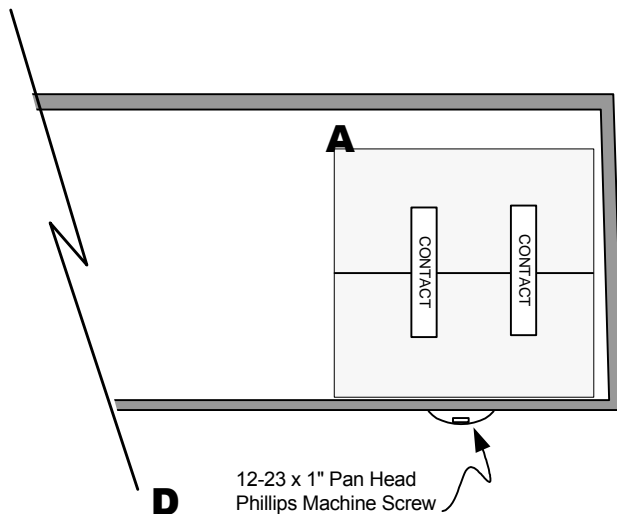
for Contact Plate & Spring-Loaded Contact Block



**Typical Instructions for
Aluminum Door & Frame
Installation**

- A)** Place contact block in the top of the door. Position the Block as close to the lock edge of the door as possible. Draw a line showing the position of the block mounting hole on the interior of the door.
- B)** Drill 7/32" Dia. hole on the line, 3/4" down from the center of door stile.
- C)** Insert spring-loaded contact block with wiring leading down toward the mortise cutout and the mounting hole facing interior of the door.
- D)** Secure contact block with 12-24 x 1" Pan Head Phillips Machine Screw.
- E)** Close the door and extend the line you drew on the door onto the frame. This will be the center line of the contact plate.
- F)** Bend the guide tab of the contact plate 90 degrees. Hold the contact plate so you can see the line you drew on the frame through the hole in the plastic guide. Mark where the center of the plate is on the underside of the frame.
- G)** Drill 3/4" Dia. hole at the marked position.
- H)** Run the black and red wire leads from the contact plate through this hole into the frame, and connect leads to the compatible low voltage power source with stranded copper wire.
- I)** Secure contact plate with two #5 Phillips Flathead Sheet Metal Screws.
- J)** The plastic guide can either be (a) removed or (b) screwed down with a #5 Phillips Flathead Sheet Metal screws for additional support.
- K)** Adjust the contact block so that the spring-loaded contacts rest against the contact plate slightly under pressure by loosening the 12-24 x 1" screw and moving the block. Connect contact block leads to load.

Top View of Spring Loaded Contact Block installed in door.



TOP SECTION of DOOR FRAME

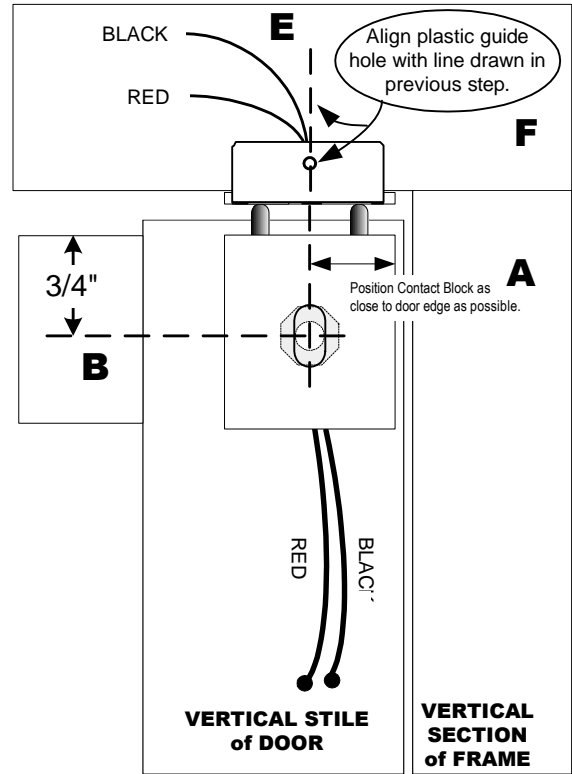


FIG 1: INTERIOR (PULL SIDE) OF RIGHT HAND DOOR SHOWN

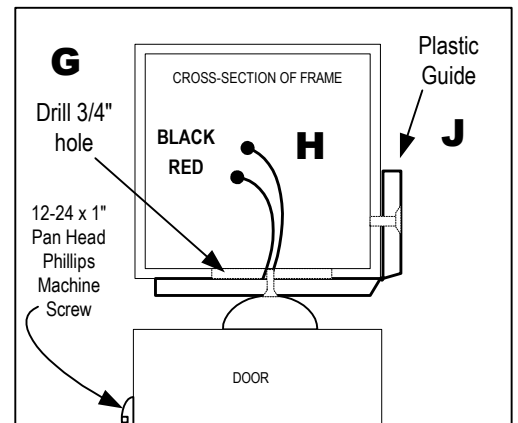


FIG 2: REVERSE BEVEL DOOR SHOWN

Lock Edge of Door

Position contact block as close to door edge as possible.