

inox[®]

PD97PT POWER TRANSFER ELECTRIFIED MORTISE LOCKSETS FOR SLIDING DOORS

With X Series Trim

INSTALLATION INSTRUCTIONS

(PM-ISPD97PT-J)

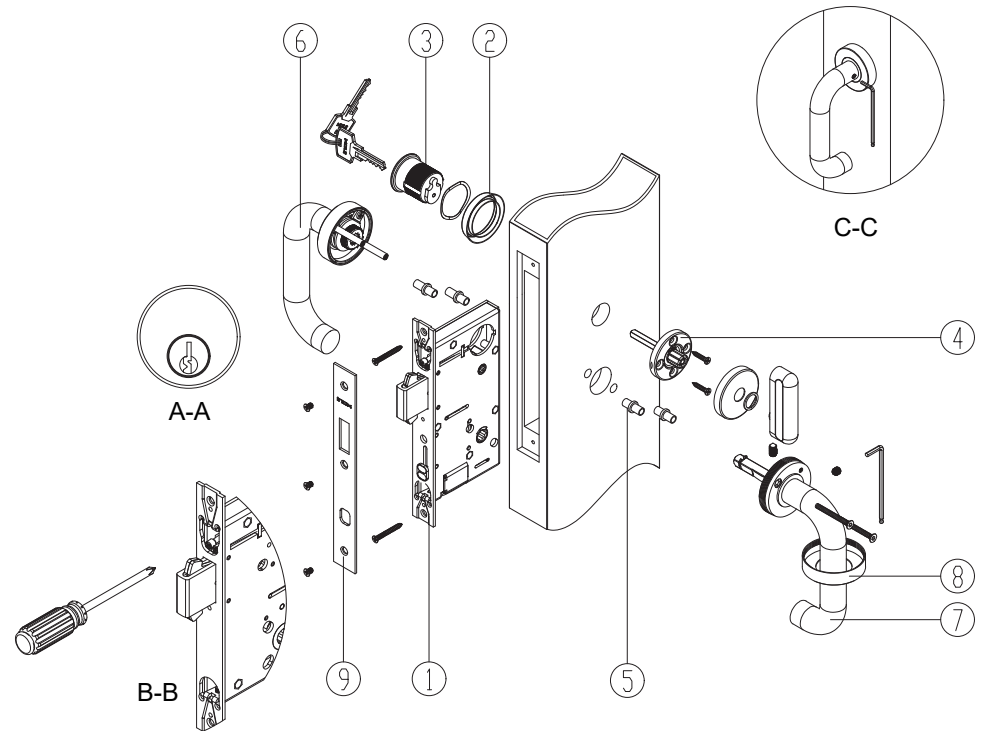


Unison Hardware Inc.
6 Wayne Court, Sacramento, CA 95829, USA
Tel: +1.916.388.1888

Email: info@unisonhardware.com Web: www.inoxproducts.com

X Series Trim with PD97PT Pocket Door Lock Installation Instructions:

For Entry w/Single Cylinder Function: PD97PT50



1. Insert mortise lockcase.

▲ **Note:** DO NOT tighten faceplate screws until after installing cylinder.

2. Screw on cylinder with escutcheon ring.

▲ **Note:** Key slot on cylinder should be in below center position. See section A-A.

3. Use a screwdriver to tighten yoke inside lock case through faceplate to fix they cylinder in position. See Section B-B.

4. Mount privacy thumbturn rose with 4x#6 screws. Mount rose cover and clear washer before mounting thumb-turn piece. Then tighten the set screw using Allen Key.

5. Install compression inserts to both sides.

6. Install outside dummy X series trim without spindle and do not tighten the set screws.

7. Install inside X series trim with spindle and tighten screws.

8. Install the inside threaded rose cover.

▲ **Note:** After the lever is installed, fully tighten the set screws. See Section C-C.

9. Install armored faceplate with screws.

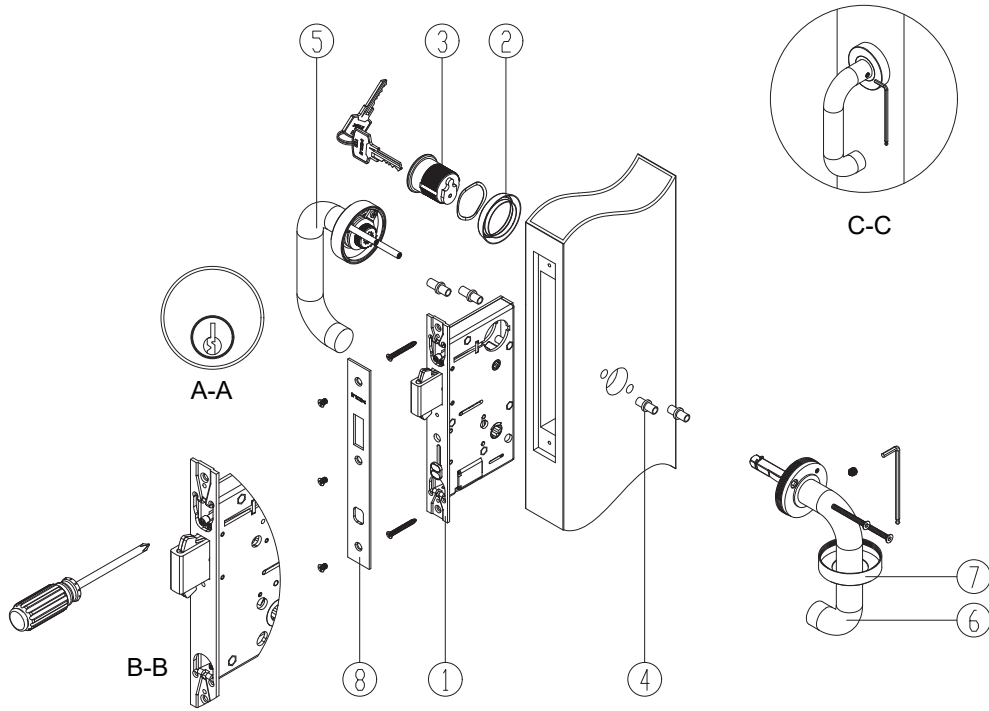
The products are intended to be installed in accordance with the installation wiring diagram, mechanical assembly drawings provided with each product, the local authority having jurisdiction (AHJ) and the National Electric Code, NFPA 70. When installed in fail secure mode, the local authority shall be consulted with regard to the use of possible panic hardware to allow emergency exit from the secure area.

Only the lock body was evaluated to UL 1034. All accessories are shown for reference only.

Note: Operation hardware must send power for a minimum of 3 seconds to fully complete the locking & unlocking function. The lock must be correctly aligned with the strike to ensure proper operation. We recommend using a soft close system for alignment. If an alignment issue prevents the locking operation the alarm will sound & the bolt will retract to the unlocked position. Correct the alignment & retry operation.

X Series Trim with PD97PT Pocket Door Lock
Installation Instructions:

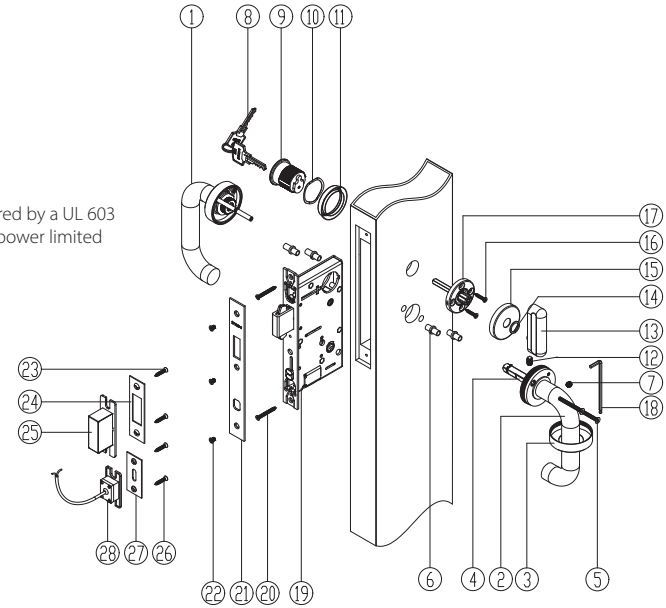
For Classroom w/Single Cylinder Function: PD97PT70



1. Insert mortise lockcase.
- ▲ **Note:** DO NOT tighten faceplate screws until after installing cylinder.
2. Screw on cylinder with escutcheon ring.
- ▲ **Note:** Key slot on cylinder should be in below center position. See section A-A.
3. Use a screwdriver to tighten yoke inside lock case through faceplate to fix the cylinder in position. See Section B-B.
4. Install compression inserts to both sides.
5. Install outside dummy X series trim without spindle and do not tighten the set screws.
6. Install inside X series trim with spindle and tighten screws.
7. Install the inside threaded rose cover.
- ▲ **Note:** After the lever is installed, fully tighten the set screws. See Section C-C.
8. Install armored faceplate with screws.

X Series Trim with PD97PT Pocket Door Lock
Parts List:

Must be powered by a UL 603 Listed Class 2, power limited power supply.



Item	No.	Parts List	Function	
			Entry	Classroom
Lever set Parts	1	Outside X series trim	1 EA	1 EA
	2	Inside X series trim	1 EA	1 EA
	3	X series inside rose cover	1 EA	1 EA
	4	8 x 1-3/4" (45mm) spring spindle	1 EA	1 EA
	5	M4 x 1-3/8" (35mm) machine screw	2 EA	2 EA
	6	Compression insert	4 EA	4 EA
	7	M6 set screw for X series trim	2 EA	2 EA
	8	Keys	2 EA	2 EA
	9	Mortise Cylinder	1 EA	1 EA
	10	Washer	1 EA	1 EA
	11	Escutcheon ring	1 EA	1 EA
	12	M6 set screw for t-turn	1 EA	-
	13	Thumb-turn	1 EA	-
	14	Clear Washer	1 EA	-
	15	Thumb-turn rose cover	1 EA	-
	16	Screw for thumb-turn sub rose	4 EA	-
	17	Thumb-turn sub rose with spindle	1 EA	-
	18	3mm Allen Key	1 EA	1 EA
	19	Mortise Pocket Lock	1 EA	1 EA
Locks	20	Screws for Inner Faceplate	2 EA	2 EA
	21	Armored Faceplate	1 EA	1 EA
	22	Screws for Armored Faceplate	3 EA	3 EA
	23	Screws for Strike Plate	2 EA	2 EA
	24	Strike Plate	1 EA	1 EA
	25	Dust Box	1 EA	1 EA
	26	Screws for Power Transfer Contact	2 EA	2 EA
	27	Power Transfer Contact Strike	1 EA	1 EA
	28	Power Transfer Contact	1 EA	1 EA
Others		Door Prep Template	1 EA	1 EA
		Installation Instruction	1 EA	1 EA

Note: Operation hardware must send power for a minimum of 3 seconds to fully complete the locking & unlocking function. The lock must be correctly aligned with the strike to ensure proper operation. We recommend using a soft close system for alignment. If an alignment issue prevents the locking operation the alarm will sound & the bolt will retract to the unlocked position. Correct the alignment & retry operation.