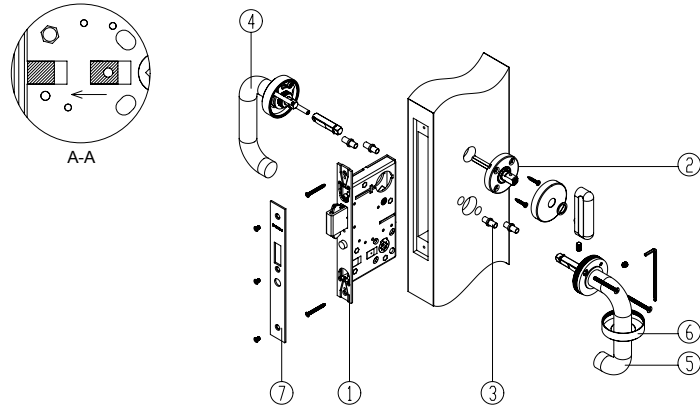
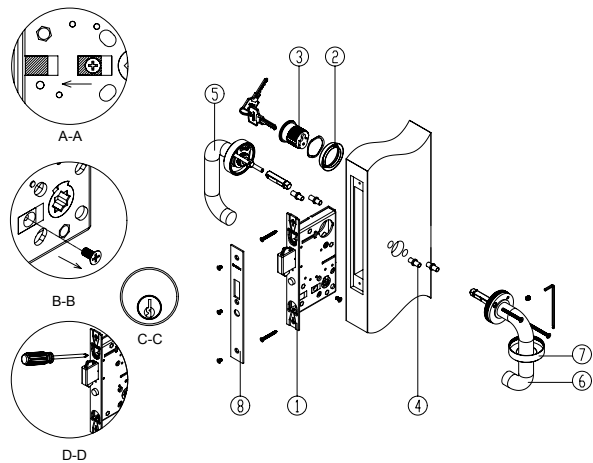


For Patio Function: **PD9660**



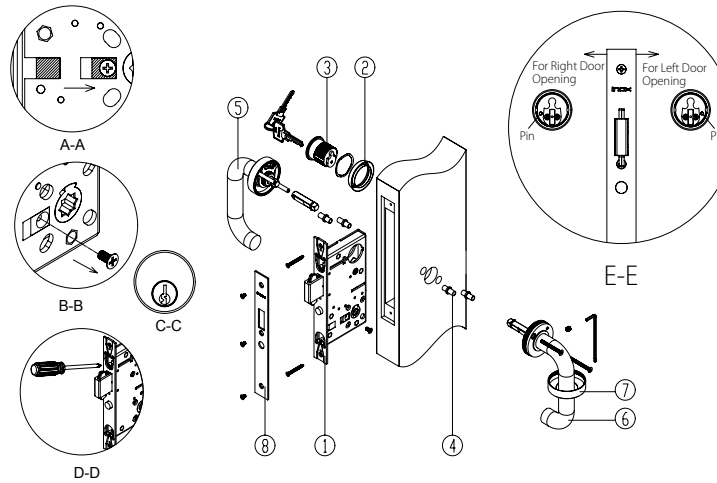
1. Install mortise lock case.
Note: Moving the Entry locking block to the A-A end direction end.
2. Mount privacy thumb-turn rose with 2x#6 screws. Mount rose cover and clear washer before mounting thumb-turn piece. Then tighten the set screw using Allen key.
3. Install compression inserts to both sides.
4. Install outside X series trim.
5. Install inside X series trim and tighten the screws.
6. Mount the inside threaded rose cover.
Note: please fully tighten the set screw under the lever after it is installed.
7. Install armored faceplate with screws.

For Classroom Function: **PD9670**



1. Install mortise lock case.
*Note: Moving the Entry locking block to the A-A end direction end.
Note: Remove handing screw from the door interior side of the lock case. See section B-B
Note: DO NOT tighten faceplate screws until after installing cylinder.*
2. Screw on cylinder with escutcheon ring.
Note: Key slot on cylinder should be on lower off-center position. See section C-C
3. Use a screw driver to tighten yoke inside lock case through faceplate to fix the cylinder in position. See Section D-D.
4. Install compression inserts to both sides.
5. Install outside X series trim.
6. Install inside X series trim and tighten screws.
7. Mount the inside threaded rose cover.
Note: please fully tighten the set screw under the lever after it is installed.
8. Install armored faceplate with screws.

For Storeroom Function: **PD9680**



1. Install mortise lock case.
*Note: Moving the Entry locking block to the A-A end direction end.
Note: Remove handing screw from the door interior side of the lock case. See section B-B
Note: DO NOT tighten faceplate screws until after installing cylinder.*
2. Screw on cylinder with escutcheon ring.
*Note: Key slot on cylinder should be on lower off-center position. See section C-C
Note: It will be a special cylinder with a pin for storeroom function. Please check the door opening direction. See section E-E*
3. Use a screw driver to tighten yoke inside lock case through faceplate to fix the cylinder in position. See Section D-D.
4. Install compression inserts to both sides.
5. Install outside X series trim.
6. Install inside X series trim and tighten screws.
7. Mount the inside threaded rose cover.
Note: please fully tighten the set screw under the lever after it is installed.
8. Install armored faceplate with screws.

Disclaimer
Complete PD96 sets will be handed prior to shipment



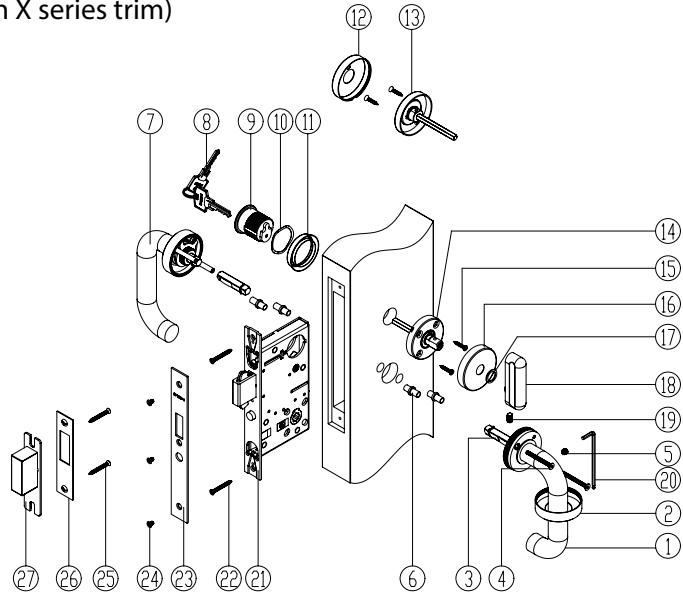
PD96 MORTISE LOCKSETS FOR SLIDING AND POCKET DOOR With X Series Trim

INSTALLATION INSTRUCTIONS (PM-IS2805-E2)



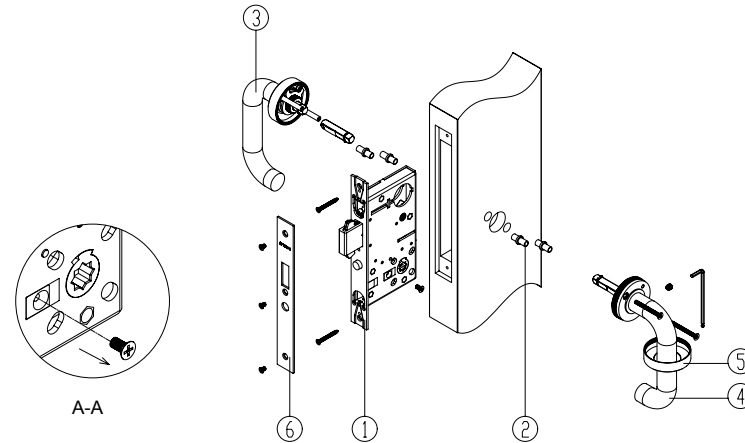
UNISON HARDWARE INC.
6 Wayne Court, Sacramento, CA 95829, USA
Tel: +1.916.388.1888 Fax: +1.916.388.8322
Email: info@unisonhardware.com Web: www.inoxproducts.com

PD96 Series Pocket Door Lock Parts List:
(with X series trim)



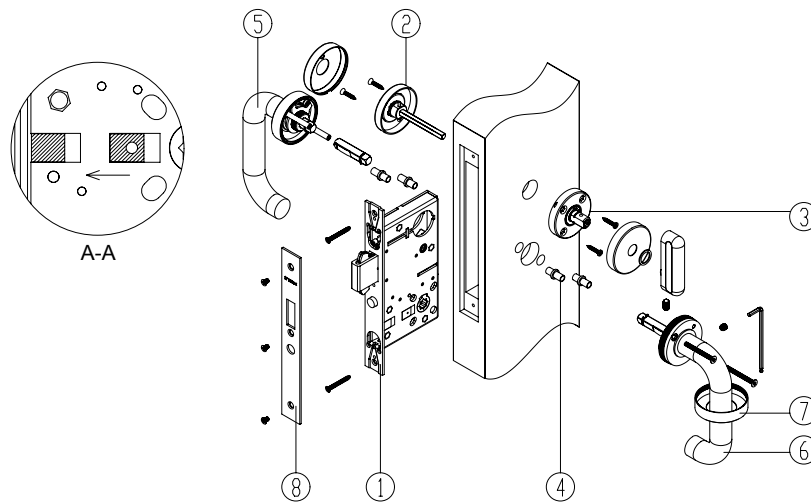
Item	No.	Parts List	Function						
			Passage	Privacy	Office/Entry	Entrance	Classroom	Patio	Storeroom
Lever set Parts	1	Inside X series trim	1 EA	1 EA	1 EA	1 EA	1 EA	1 EA	1 EA
	2	X series inside rose cover	1 EA	1 EA	1 EA	1 EA	1 EA	1 EA	1 EA
	3	8x1-3/4"(45mm) spring spindle	2 EA	2 EA	2 EA	2 EA	2 EA	2 EA	2 EA
	4	M4x1-3/8"(35mm) machine screw	2 EA	2 EA	2 EA	2 EA	2 EA	2 EA	2 EA
	5	M6 set screw for X series trim	1 EA	1 EA	1 EA	1 EA	1 EA	1 EA	1 EA
	6	Compression inserts	4 EA	4 EA	4 EA	4 EA	4 EA	4 EA	4 EA
	7	Outside X series trim	1 EA	1 EA	1 EA	1 EA	1 EA	1 EA	1 EA
	8	Key	-	-	2 EA	2 EA	2 EA	-	2 EA
	9	Mortise Cylinder	-	-	1 EA	1 EA	1 EA	-	1 EA
	10	Washer	-	-	1 EA	1 EA	1 EA	-	1 EA
	11	Escutcheon ring	-	-	1 EA	1 EA	1 EA	-	1 EA
	12	Outside thumbturn release rose cover	-	1 EA	-	-	-	-	-
	13	Outside thumbturn release sub rose	-	1 EA	-	-	-	-	-
	14	Thumb-turn sub rose	-	1 EA	1 EA	1 EA	-	1 EA	-
	15	Screw for thumb-turn	-	6 EA	4 EA	4 EA	-	4 EA	-
	16	Thumb-turn rose cover	-	1 EA	1 EA	1 EA	-	1 EA	-
	17	Clear washer	-	1 EA	1 EA	1 EA	-	1 EA	-
	18	Thumb-turn	-	1 EA	1 EA	1 EA	-	1 EA	-
	19	M6 set screw for t-turn	-	1 EA	1 EA	1 EA	-	1 EA	-
	20	3mm Allen Key	1 EA	1 EA	1 EA	1 EA	1 EA	1 EA	1 EA
Locks	21	Mortise Pocket Lock	1 EA	1 EA	1 EA	1 EA	1 EA	1 EA	1 EA
	22	Screws for Inner Faceplate	2 EA	2 EA	2 EA	2 EA	2 EA	2 EA	2 EA
	23	Armored Faceplate	1 EA	1 EA	1 EA	1 EA	1 EA	1 EA	1 EA
	24	Screws for Armored Faceplate	3 EA	3 EA	3 EA	3 EA	3 EA	3 EA	3 EA
	25	Screw for Strike Plate	2 EA	2 EA	2 EA	2 EA	2 EA	2 EA	2 EA
	26	Strike Plate	1 EA	1 EA	1 EA	1 EA	1 EA	1 EA	1 EA
	27	Dust Box	1 EA	1 EA	1 EA	1 EA	1 EA	1 EA	1 EA
Others	28	Door Prep Template	1 EA	1 EA	1 EA	1 EA	1 EA	1 EA	1 EA
	29	Installation Instruction	1 EA	1 EA	1 EA	1 EA	1 EA	1 EA	1 EA

For Passage Function: PD9610



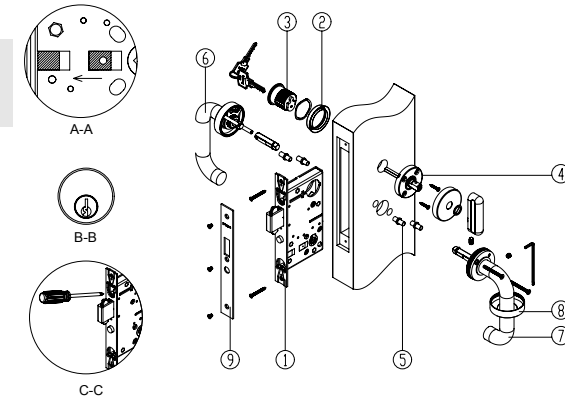
1. Install mortise lock case.
Note: Remove handing screws from both sides of the lock case. See section A-A
2. Install compression inserts to both sides.
3. Install outside X series trim.
4. Install inside X series trim and tighten the screws.
5. Mount the inside threaded rose cover.
Note: please fully tighten the set screw under the lever after it is installed.
6. Install armored faceplate with screws.

For Privacy w/Emergency Release Function: PD9640



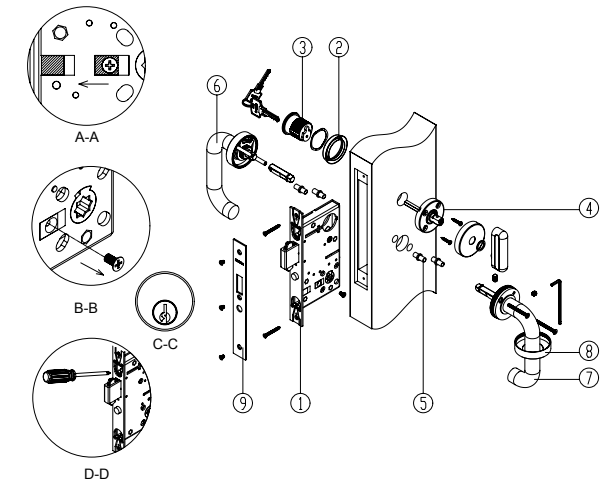
1. Install mortise lock case.
Note: Moving the Entry locking block to the A-A end direction end.
2. Install outside Thumb-turn release sub rose and tighten screws.
3. Mount privacy thumb-turn rose with 2x#6 screws. Mount rose cover and clear washer before mounting thumb-turn piece. Then tighten the set screw using Allen key. And mount the outside thumb-turn release rose cover.
4. Install compression inserts to both sides.
5. Install outside X series trim.
6. Install inside X series trim and tighten the screws.
7. Mount the inside threaded rose cover.
Note: please fully tighten the set screw under the lever after it is installed.
8. Install armored faceplate with screws.

For Office/Entry Function: PD9650



1. Install mortise lock case.
Note: Moving the Entry locking block to the A-A end direction end. Note: DO NOT tighten faceplate screws until after installing cylinder.
2. Screw on cylinder with escutcheon ring.
Note: Key slot on cylinder should be on lower of-center position. See section B-B.
3. Use a screw driver to tighten yoke inside lock case through faceplate to fix the cylinder in position. See Section C-C.
4. Mount privacy thumb-turn rose with 2x#6 screws. Mount rose cover and clear washer before mounting thumb-turn piece. Then tighten the set screw using Allen key.
5. Install compression inserts to both sides.
6. Install outside X series trim.
7. Install inside X series trim and tighten screws.
8. Mount the inside threaded rose cover.
Note: please fully tighten the set screw under the lever after it is installed.
9. Install armored faceplate with screws.

For Entrance Function: PD9653



1. Install mortise lock case.
Note: Moving the Entry locking block to the A-A end direction end. Note: Remove handing screw from the door interior side of the lock case. See section B-B. Note: DO NOT tighten faceplate screws until after installing cylinder.
2. Screw on cylinder with escutcheon ring.
Note: Key slot on cylinder should be on lower of-center position. See section C-C.
3. Use a screw driver to tighten yoke inside lock case through faceplate to fix the cylinder in position. See Section D-D.
4. Mount privacy thumb-turn rose with 2x#6 screws. Mount rose cover and clear washer before mounting thumb-turn piece. Then tighten the set screw using Allen key.
5. Install compression inserts to both sides.
6. Install outside X series trim.
7. Install inside X series trim and tighten screws.
8. Mount the inside threaded rose cover.
Note: please fully tighten the set screw under the lever after it is installed.
9. Install armored faceplate with screws.