

PD3000 Narrow Profile ICU Lock

For Sliding Doors



APPLICATION

INOX's Narrow Stile Lock has an innovative actuator on the faceplate that activates the bolt quickly and quietly when the door is closed. No pressure or force is required to auto-latch the door. The PD3000 works in wood or metal doors and is suitable for a wide range of applications, including but not limited to:

- Hospitality
- Healthcare
- Commercial

MATERIAL

- Lockcase: Heavy gauge steel
- Bolt: Brass and stainless steel
- Faceplate and Strike: Stainless steel
- Cylinder: Solid Brass

SPECIFICATIONS

Standard Door Thickness	1-3/4" (45mm) <i>Thick door kits available</i>
Backset	1-1/4" (31.5mm)
Thumb-turn Spindle	8x 8mm square
Case Size	4-1/2" x 5/8" x 1-19/32" (114mm x 16mm x 40.5mm)
Handing	Non-handed

FEATURES

- Narrow-profile mortise lock fits door openings where larger mortise locks cannot, including glass doors
- Stainless steel bolt, hub, and faceplate integrated in an innovative design with activator that provides self-latching function to meet UL 1784 standard
- Designed to replace existing narrow profile locks; INOX retrofit is easy and provides strength, resilience, and durability
- Successfully tested to 250,000 cycles for lever and latchbolt hook

CODE COMPLIANCE

ABSU A117.1 Accessibility Code (ADA Compliant)
Meets UL 1784 Standard

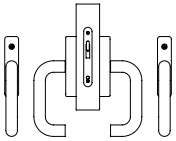


V:2021-08

NOTE: This document is provided as a general guide only. While the information herein is believed accurate as of the date of printing, INOX reserves the right to modify and fine-tune new products, and adjustments and revisions may therefore be made to some of these specifications before a final version of this document is released. Exercise due diligence, and contact Unison Hardware, Inc., to inquire about changes to the specifications before beginning any installation of this product.

PD3000 NARROW PROFILE ICU LOCK

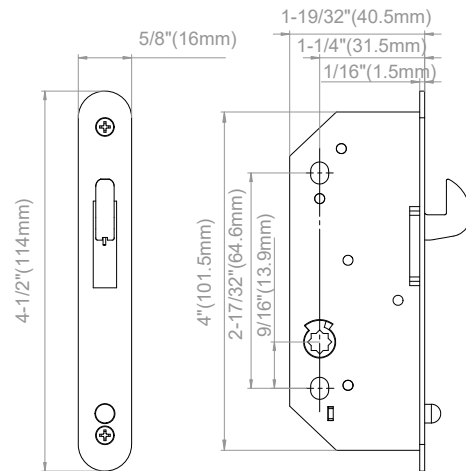
FUNCTION



Passage: PD3010

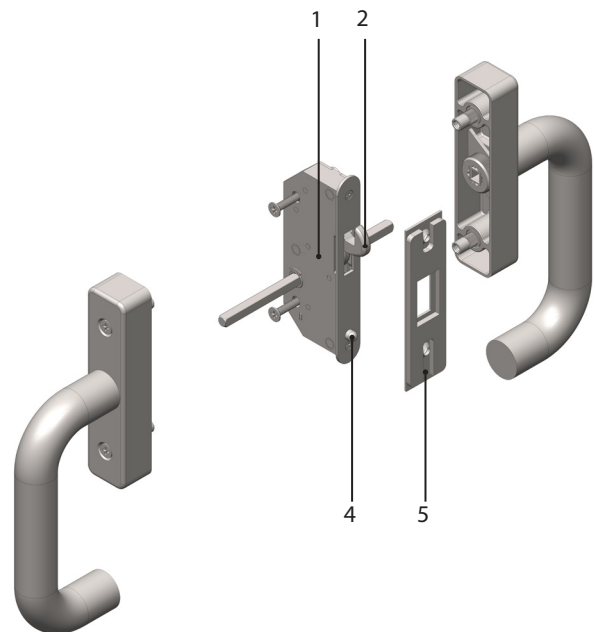
- Auto-latching: When the sliding door is closed, the bolt is automatically engaged into the strike
- Outside and inside levers are always unlocked and retract the latch

LOCKCASE DIMENSIONS



Part Number	Description
PD30-114	PD3000 1-1/4" backset lockcase with faceplate and strike

COMPONENTS



1. PD3000 lockcase
2. Solid brass bolt with self-retracting hook
3. Escutcheon with choice of X-Series lever design
4. Solid brass push button to activate the self-latch
5. Adjustable Strike

NOTE: This document is provided as a general guide only. While the information herein is believed accurate as of the date of printing, INOX reserves the right to modify and fine-tune new products, and adjustments and revisions may therefore be made to some of these specifications before a final version of this document is released. Exercise due diligence, and contact Unison Hardware, Inc., to inquire about changes to the specifications before beginning any installation of this product.

