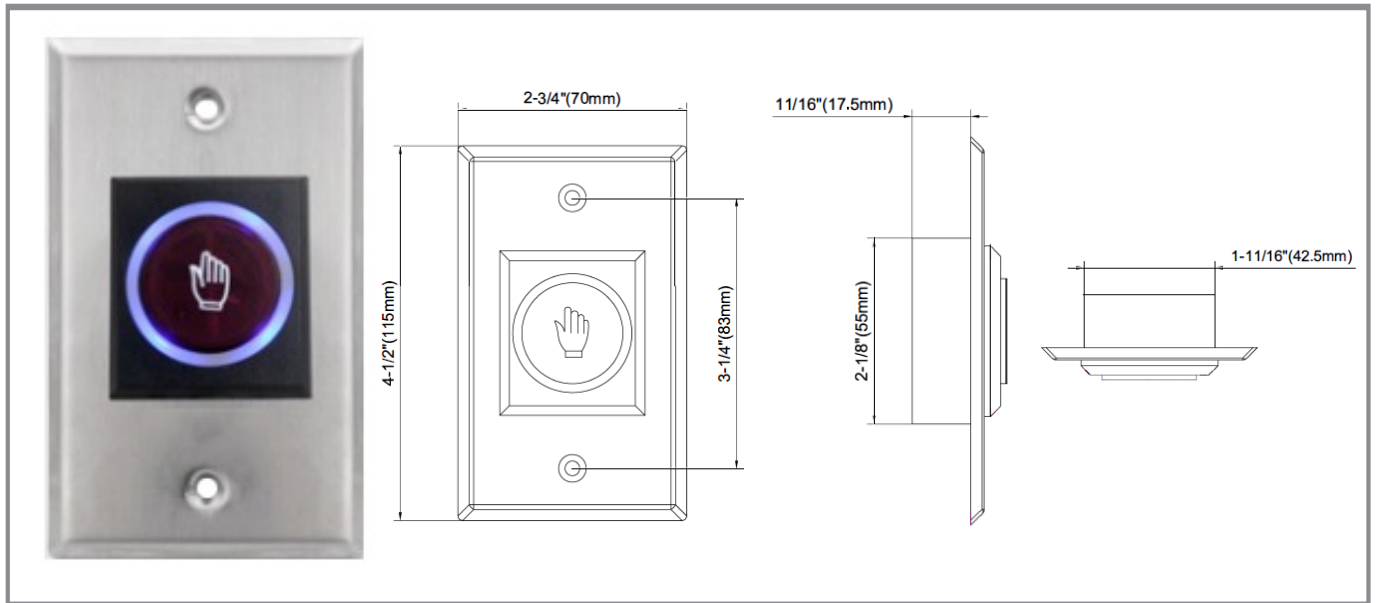


Access Control Hand Wave AC-PB100



Specifications

- Infrared sensor
- Operating Temperature: -4 F to +153 F (-20 C to +85 C)
- 6" operating range

Standard Finish

32D (630) Satin Stainless Steel

CeraMax Ceramic Coating:

- Graphite Black (C19G)
- Flat Black (C19)
- Stormy Grey (CGY)
- Dark Bronze (CDB)

Features

- Allows contactless entry when door is unlocked
- Light-up display for ease of vision
- 6" range infrared sensor with fast response time
- Automatic voltage detector - works with 12 or 24 volts
- Stainless steel faceplate