

FH27 Linear Flush Pull

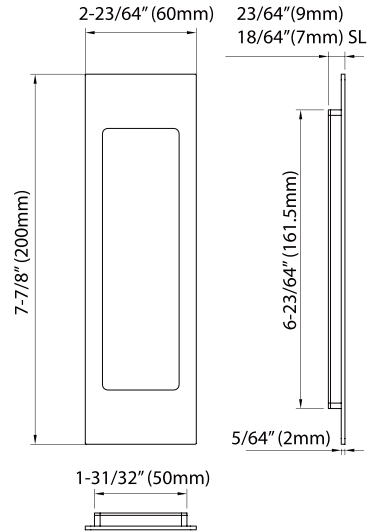
For PD8000/PD5000 Sliding & Pocket Door Locks



FH27 w/PD84



FH27 w/PD50



Specifications

- Standard Door Thickness: 1-3/4" (45mm)
Thick Door Kits available
- Slim Trim (FH27SL) available for 1-3/8" (35mm) doors
- Handing: Non-Handed
- Thumbturn Spindle: 5x5mm square
- Deadbolt: 1" (25.4mm)
- Cylinder: Schlage C keyway 5 pin mortise cylinder with 2 keys (KD). Keying services available; order separately

Application

For Residential or Commercial application

Material

Stainless Steel/Brass

Options

Trim	Door Thickness	Fixing Type
FH27..	1-3/4" or greater	Discrete
FH27..SL	1-3/8"	Face Fixing



FH27SL*

Finish

See page 35 for Finish options.

Note: Standard FH27 Linear Trim cannot be installed on 1-3/8" doors. For 1-3/8" thick doors, order FH27SL face-fixing Slim Trim. Also available: FH22CF or FH23CF (see page 34).



FH2700 FH2700SL
Flush Pull Only



FH2792 FH2792SL
Flush Pull w/
TT09 Thumbturn



FH2704 FH2704SL
Flush Pull w/
Thumbturn Release



FH2703*
Flush Pull w/
Cylinder Hole



FH2782*
Flush Pull w/
TT08 Thumbturn

* Not available with SL