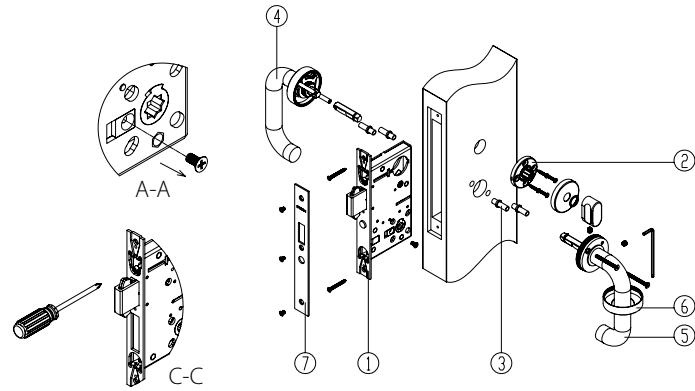
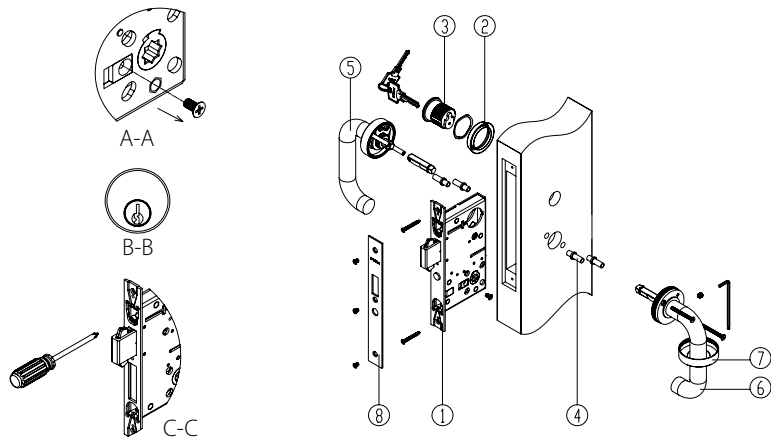


**For Patio Function: PD9660**



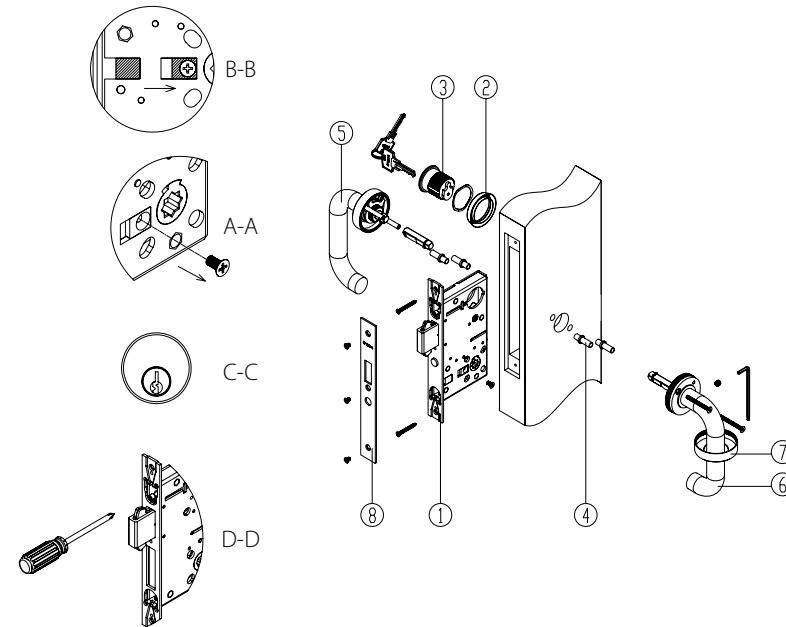
1. Install mortise lock case.  
*Note: Remove handing screw from the door interior side of the lock case. See section A-A  
Note: DO NOT tighten faceplate screws.*
2. Install inside thumb-turn and tighten screws.
3. Install compression inserts to both sides.
4. Install outside X series trim.
5. Install inside X series trim and tighten the screws.
6. Mount the inside threaded rose cover.  
*Note: please fully tighten the set screw under the lever after it is installed. See Section C-C.*
7. Install armored faceplate with screws.

**For Classroom Function: PD9670**



1. Install mortise lock case.  
*Note: Remove handing screw from the door interior side of the lock case. See section A-A  
Note: DO NOT tighten faceplate screws until after installing cylinder.*
2. Screw on cylinder with escutcheon ring.  
*Note: Key slot on cylinder should be on lower off-center position. See section B-B*
3. Use a screw driver to tighten yoke inside lock case through faceplate to fix the cylinder in position. See Section C-C.
4. Install compression inserts to both sides.
5. Install outside X series trim.
6. Install inside X series trim and tighten screws.
7. Mount the inside threaded rose cover.  
*Note: please fully tighten the set screw under the lever after it is installed.*
8. Install armored faceplate with screws.

**For Storeroom Function: PD9680**



1. Install mortise lock case.  
*Note: Remove handing screw from the door interior side of the lock case. See section A-A  
Moving the Entry locking block to the B-B direction end.  
Note: DO NOT tighten faceplate screws until after installing cylinder.*
2. Screw on cylinder with escutcheon ring.  
*Note: Key slot on cylinder should be on lower off-center position. See section C-C*
3. Use a screw driver to tighten yoke inside lock case through faceplate to fix the cylinder in position. See Section D-D.
4. Install compression inserts to both sides.
5. Install outside X series trim.
6. Install inside X series trim and tighten screws.
7. Mount the inside threaded rose cover.  
*Note: please fully tighten the set screw under the lever after it is installed.*
8. Install armored faceplate with screws.

\*\*\*Disclaimer\*\*\*  
Complete PD96 sets will be handed prior to shipment



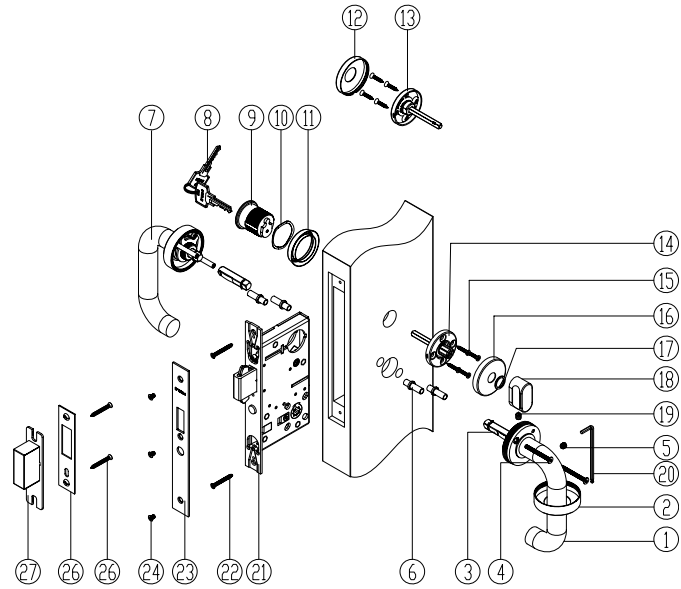
**PD96 MORTISE LOCKSETS  
FOR SLIDING AND POCKET DOOR  
With X Series Trim**

**INSTALLATION INSTRUCTIONS  
(PM-IS2805-E1)**



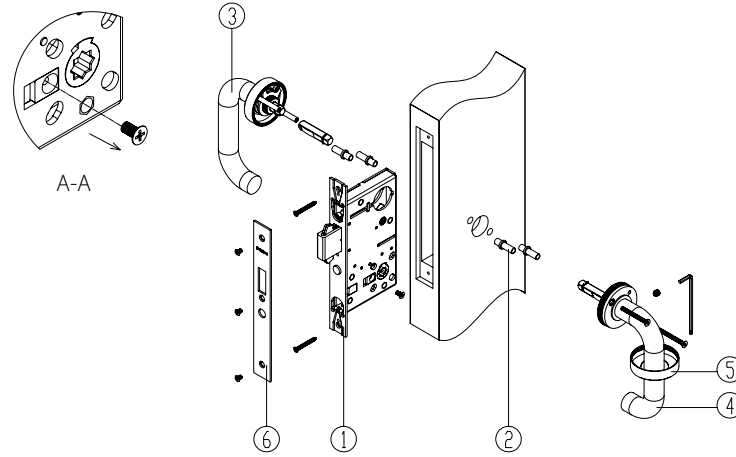
UNISON HARDWARE INC.  
6 Wayne Court, Sacramento, CA 95829, USA  
Tel: +1.916.388.1888 Fax: +1.916.388.8322  
Email: info@unisonhardware.com Web: www.inoxproducts.com

**PD96 Series Pocket Door Lock Parts List:**  
(with X series trim)



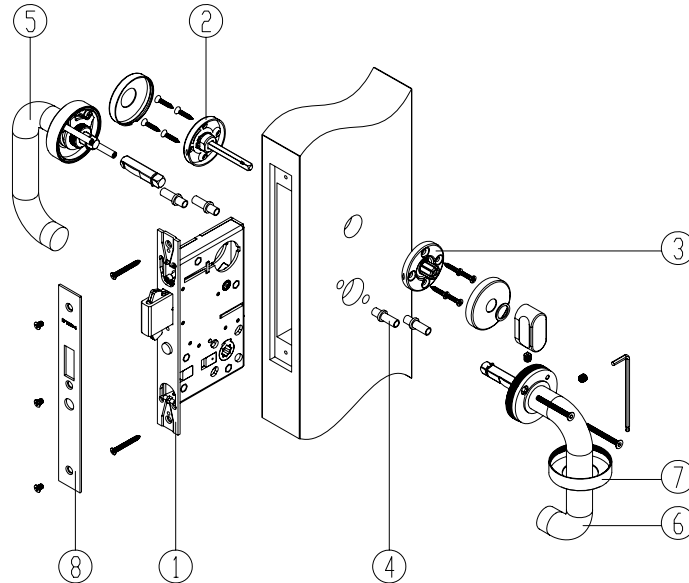
Item	No.	Parts List	Function					
			Passage	Privacy	Entry	Classroom	Patio	Storeroom
Lever set Parts	1	Inside X series trim	1 EA	1 EA	1 EA	1 EA	1 EA	1 EA
	2	X series inside rose cover	1 EA	1 EA	1 EA	1 EA	1 EA	1 EA
	3	8x1-3/4"(45mm) spring spindle	2 EA	2 EA	2 EA	2 EA	2 EA	2 EA
	4	M4x1-3/8"(35mm) machine screw	2 EA	2 EA	2 EA	2 EA	2 EA	2 EA
	5	M6 set screw for X series trim	1 EA	1 EA	1 EA	1 EA	1 EA	1 EA
	6	Compression inserts	4 EA	4 EA	4 EA	4 EA	4 EA	4 EA
	7	Outside X series trim	1 EA	1 EA	1 EA	1 EA	1 EA	1 EA
	8	Key	-	-	2 EA	2 EA	2 EA	2 EA
	9	Mortise Cylinder	-	-	1 EA	1 EA	1 EA	1 EA
	10	Washer	-	-	1 EA	1 EA	1 EA	1 EA
	11	Escutcheon ring	-	-	1 EA	1 EA	1 EA	1 EA
	12	Outside thumbturn release rose cover	-	1 EA	-	-	-	-
	13	Outside thumbturn release sub rose	-	1 EA	-	-	-	-
	14	Thumb-turn sub rose	-	1 EA	1 EA	1 EA	-	-
	15	Screw for thumb-turn	-	8 EA	4 EA	4 EA	-	-
	16	Thumb-turn rose cover	-	1 EA	1 EA	1 EA	-	-
	17	Clear washer	-	1 EA	1 EA	1 EA	-	-
	18	Thumb-turn	-	1 EA	1 EA	1 EA	-	-
	19	M6 set screw for t-turn	-	1 EA	1 EA	1 EA	-	-
	20	3mm Allen Key	1 EA	1 EA	1 EA	1 EA	1 EA	1 EA
Locks	21	Mortise Pocket Lock	1 EA	1 EA	1 EA	1 EA	1 EA	1 EA
	22	Screws for Inner Faceplate	2 EA	2 EA	2 EA	2 EA	2 EA	2 EA
	23	Armored Faceplate	1 EA	1 EA	1 EA	1 EA	1 EA	1 EA
	24	Screws for Armored Faceplate	3 EA	3 EA	3 EA	3 EA	3 EA	3 EA
	25	Screw for Strike Plate	2 EA	2 EA	2 EA	2 EA	2 EA	2 EA
	26	Strike Plate	1 EA	1 EA	1 EA	1 EA	1 EA	1 EA
	27	Dust Box	1 EA	1 EA	1 EA	1 EA	1 EA	1 EA
Others	28	Door Prep Template	1 EA	1 EA	1 EA	1 EA	1 EA	1 EA
	29	Installation Instruction	1 EA	1 EA	1 EA	1 EA	1 EA	1 EA

**For Passage Function: PD9610**



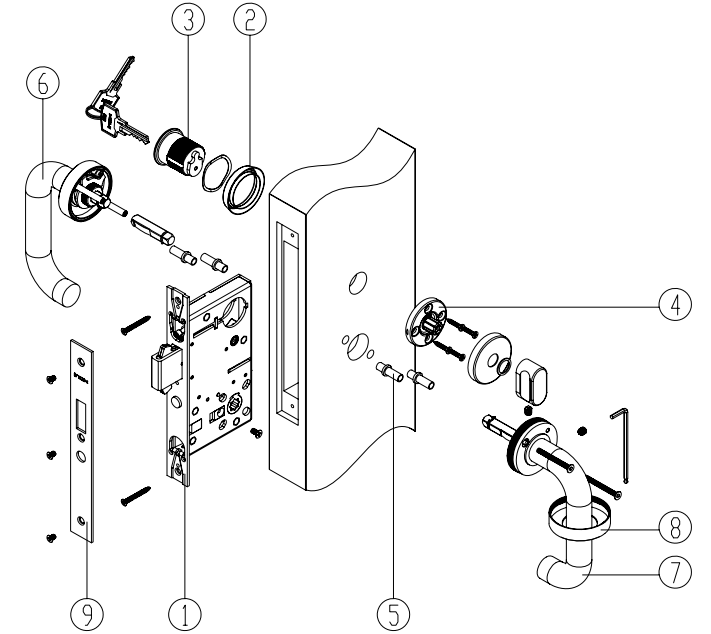
1. Install mortise lock case.  
*Note: Remove handing screws from both sides of the lock case. See section A-A*
2. Install compression inserts to both sides.
3. Install outside X series trim.
4. Install inside X series trim and tighten the screws.
5. Mount the inside threaded rose cover.
6. Install armored faceplate with screws.

**For Privacy w/Emergency Release Function: PD9640**



1. Install mortise lock case.
2. Install outside thumb-turn and tighten screws.
3. Install inside thumb-turn sub rose and tighten screws.  
Then mount the outside thumb-turn rose cover.
4. Install compression inserts to both sides.
5. Install outside X series trim.
6. Install inside X series trim and tighten the screws.
7. Mount the inside threaded rose cover.  
*Note: please fully tighten the set screw under the lever after it is installed.*
8. Install armored faceplate with screws.

**For Entry w/Single Cylinder Function: PD9650**



1. Install mortise lock case.  
*Note: Remove handing screw from the door interior side of the lock case. See section A-A*  
*Note: DO NOT tighten faceplate screws until after installing cylinder.*
2. Screw on cylinder with escutcheon ring.  
*Note: Key slot on cylinder should be on lower of-center position. See section B-B.*
3. Use a screw driver to tighten yoke inside lock case through faceplate to fix the cylinder in position. See Section C-C.
4. Mount privacy thumb-turn rose with 4x#6 screws. Mount rose cover and clear washer before mounting thumb-turn piece. Then tighten the set screw using Allen key.
5. Install compression inserts to both sides.
6. Install outside X series trim.
7. Install inside X series trim and tighten screws.
8. Mount the inside threaded rose cover.  
*Note: please fully tighten the set screw under the lever after it is installed.*
9. Install armored faceplate with screws.