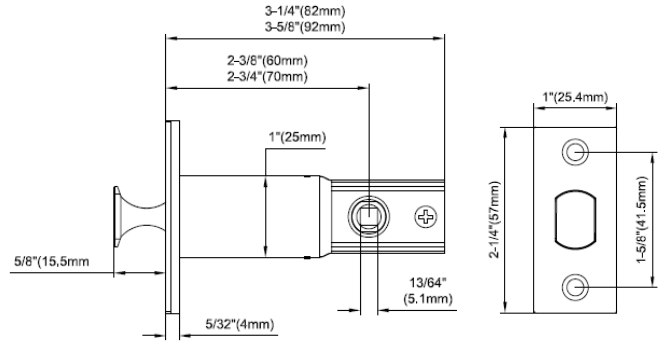


**PD2000 TwistLock™ Edge-Pull Privacy Lock**

For Sliding & Pocket Doors



**Key Features**

- Privacy pocket door lock with edge pull combination
- Utilizes a unique rotating bolt to lock into the strike
- Edge pull works as both a spring-loaded pull and locking bolt
- Designed to fit in standard 2-1/8" bore
- Also available in Passage function
- Has been successfully cycle tested - edge pull and lock - 200,000 cycles

**Specifications**

<b>Standard Thickness</b>	1-3/8" (35mm) - 1-3/4" (45mm) <i>Thick door kits available</i>
<b>Fixed Backset</b>	2-3/8" (60 mm)
<b>Bolt</b>	1" (25.4 mm)
<b>Thumb-turn Spindle</b>	5 x 5 mm square
<b>Handing</b>	Non-handed

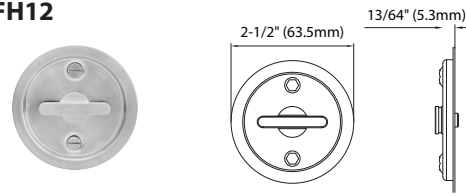
**Finishes**

- 32D Satin Stainless Steel
  - 19G Graphite Black
  - CeraMax Ceramic Coating:
    - C19G Ceramic Graphite Black
    - C19 Ceramic Flat Black
    - CDB Ceramic Dark Bronze
    - CGY Ceramic Stormy Grey
- Other finishes coming soon, including:
- PVD4 Satin Brass
  - 10B Oil Rubbed Bronze
  - 32 Bright Stainless Steel

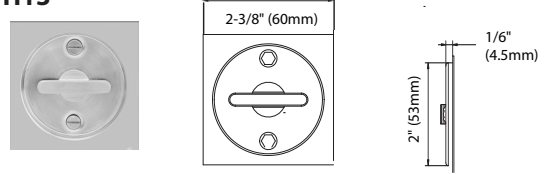
**Trim**

With TT08 Thumbturn

**FH12**



**FH13**



**Functions**

- Passage: **PD2061**
- Privacy: **PD2062**
- Lock Body with Edge Pull (No Locking, No Trim): **PD2060** 2-3/8" Backset

More Info:

